



easYgen-3100/3200 Genset Control for Multiple Unit Operation

DESCRIPTION

The easYgen-3000 Series are control units for genset applications. The numerous inputs and outputs, along with a modular software structure, permit you to use the easYgen-3000 Series for a wide range of applications. This includes stand-by, AMF, peak shaving, import-export, cogeneration or distributed generation, among others. Also the easYgen-3000 Series is compatible for isolated, island parallel, mains parallel and multiple unit mains parallel operations. The easYgen-3000 Series is able to control up to 32 gensets connected in a network with automatic sequencing.

The easYgen-3000 Series is available for simple paralleling as well as for complex paralleling applications. Choose easYgen-3200 should you want to take your fleet of gen-sets parallel to grid or choose easYgen-3500 with LS-5 for multi grid, multi segment applications. These controllers are also available without display, in a rugged metal housing suitable for back panel installation. A remote panel (RP-3000) can be used for visualization/control purpose in this case.

FlexApp™ – This feature provides the tools to easily configure the number of operated breakers: None, GCB, GCB and MCB.

LogicsManager™ – Woodward's LogicsManager enables to change the operation sequences and adapt them to specific needs. The LogicsManager accomplishes this by monitoring a range of measuring values and internal states, which are combined logically with Boolean operators and programmable timers. This enables to create and/or modify control and relay functions.

FlexIn™ – The analog inputs are configurable to operate with VDO, resistive, and/or 0 to 20 mA senders.

Flexible Outputs – Speed and voltage bias outputs are configurable to function with all speed governors and voltage regulators. The outputs can also be used as freely scalable outputs (e.g. for driving external meters).

FlexCAN™ – Advanced network interfaces ensure unsurpassed control performance – from engine control up to total plant operation. The easYgen-3000 Series is capable of working with common industrial interfaces, including CAN, RS-232, and RS-485. The multiple communication protocols permit the easYgen-3000 Series to communicate with a vast majority of engine control units (ECUs), external I/O boards, PLCs, and modems. CANopen, J1939, Modbus RTU, and Modem protocols are supported.

DynamicsLCD™ – The adaptive and interactive 5.7", 320x240 pixel color graphical LC display with soft keys and a clear menu structure ensures intuitive user operation and navigation.

FEATURES

- Operation modes: Auto, Stop, Manual, and Load/No Load test modes via discrete input possible
- Breaker control: Slip frequency / phase matching synchronization, open-close control, breaker monitoring
- Load transfer features: open / closed transition, interchange, soft loading / soft unloading, mains parallel
- Remote control via interface and discrete/analog inputs for adjusting speed, frequency, voltage, power, reactive power, and power factor set points
- Freely configurable PID controllers for various control purposes, such as heating circuit control (CHP applications), water level, fuel level, or pressure and/or other process values
- Supported ECU: Scania S6, MTU ADEC ECU7/8, Volvo EMS2 & EDC4, Deutz EMR2 & EMR3, MAN MFR/EDC7, SISU EEM, Cummins and Woodward EGS02 ECU
- Discrete and analog I/O expansion board connectivity (Woodward IKD 1 or Phoenix Contact IL series)
- Multi-lingual capability: English, German, Spanish, French, Italian, Portuguese, Japanese, Chinese, Russian, Turkish, Polish, Slovakian, Finnish, Swedish
- Configurable voltage/frequency control allows manual control of breakers
- Neutral interlocking determines and controls one common neutral in a network of generators
- Cylinder temperature monitoring for in-line and V engines
- Reactive power regulation at the grid interchange point (kvar or PF)

- Master or Slave control capability
- Peak shaving operation
- Stand-by operation
- AMF operation
- Cogeneration (CHP)
- Islanded & mains parallel operation
- Load sharing and load-dependent start/stop for up to 32 units
- Import/export control
- Open/closed transition
- CANopen / J1939 ECU Control
- Free configurable alarms and texts
- Fast configuration by partial setting files
- Dynamic mains stabilization (as per BDEW)
- Adjustable vector groups for synchronization

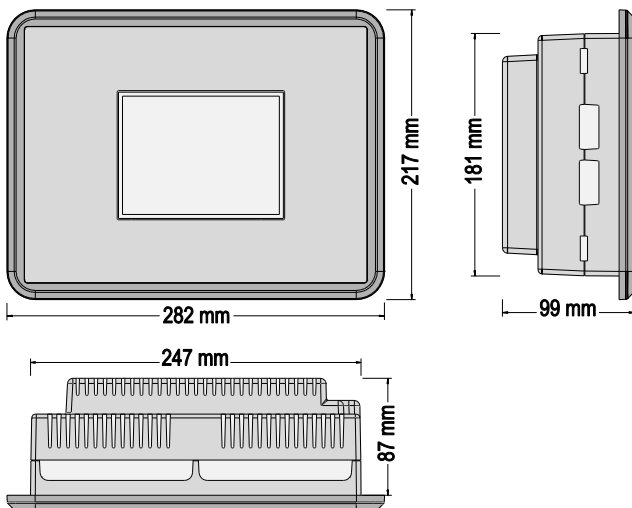
SPECIFICATIONS

Power supply 12/24 V_{DC} (8 to 40 V_{DC})
 Intrinsic consumption max. 17 W
 Ambient temperature (operation) -20 to 70 °C / -4 to 158 °F
 Ambient temperature (storage) -30 to 80 °C / -22 to 176 °F
 Ambient humidity 95%, non-condensing
Voltage ($\sqrt{\Delta}$)
 100 Vac [1] Rated (V_{rated}) 69/120 V_{AC}
 Max. value (V_{max}) 86/150 V_{AC}
 Rated surge volt. (V_{surge}) 2.5 kV
and 400 Vac [4] Rated (V_{rated}) 277/480 V_{AC}
 Max. value (V_{max}) 346/600 V_{AC}
 Rated surge volt. (V_{surge}) 4.0 kV
 Accuracy Class 1
 Measurable alternator windings ... 3p-3w, 3p-4w, 3p-4w OD, 1p-2w, 1p-3w
 Setting range primary 50 to 650,000 V_{AC}
 Linear measuring range 1.25×V_{rated}
 Measuring frequency 50/60 Hz (40 to 85 Hz)
 High Impedance Input; Resistance per path [1] 0.498 MΩ, [4] 2.0 MΩ
 Max. power consumption per path < 0.15 W
Current (Isolated) Rated (I_{rated}) [1] ..1 A or [5] ..15 A
 Linear measuring range I_{gen} = 3.0×I_{rated}
 I_{mains/ground} = 1.5×I_{rated}
 Setting range 1 to 32,000 A
 Burden < 0.15 VA
 Rated short-time current (1 s) [1] 50×I_{rated}, [5] 10×I_{rated}
Power
 Setting range 0.5 to 99,999.9 kW/kvar
Discrete inputs isolated
 Input range 12/24 V_{DC} (8 to 40 V_{DC})
 Input resistance approx. 20 kOhms

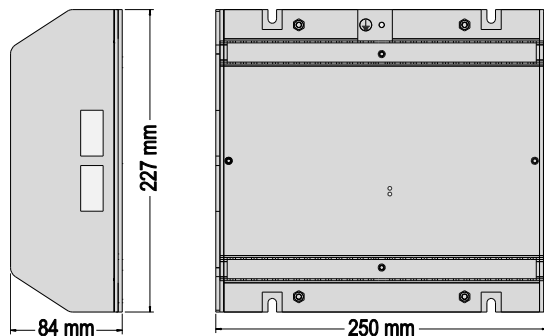
Relay outputs isolated
 Contact material AgCdO
 Load (GP) 2.00 A_{AC}@250 V_{AC}
 2.00 A_{DC}@24 V_{DC} / 0.36 A_{DC}@125 V_{DC} / 0.18 A_{DC}@250 V_{DC}
 Pilot duty (PD) 1.00 A_{DC}@24 V_{DC} / 0.22 A_{DC}@125 V_{DC} / 0.10 A_{DC}@250 V_{DC}
Analog inputs (none isolated) freely scalable
 Type 0 to 500 Ohms / 0 to 20 mA
 Resolution 11 Bit
Analog outputs (isolated) freely scalable
 Type ± 10 V / ± 20 mA / PWM
 Insulation voltage (continuously) 100 V_{AC}
 Insulation test voltage (1s) 500 V_{AC}
 Resolution 11/12 Bit (depending on analog output)
 ± 10 V (scalable) internal resistance ≤1 kOhms
 ± 20 mA (scalable) maximum load 500 Ohms
Housing Front panel flush mounting Plastic housing
 Dimensions WxHxD 282 × 217 × 99 mm
 Front cutout WxH 249 [+1.1] × 183 [+1.0] mm
 Connection screw/plug terminals 2.5 mm²
 Front insulating surface
 Sealing Front IP66 (with screw fastening)
 Front IP54 (with clamp fastening)
 Back IP20
 Weight approx. 1,850 g
Housing Switch cabinet back mounting Sheet metal housing
 Dimensions WxHxD 250 × 227 × 84 mm
 Connection screw/plug terminals 2.5 mm²
 Protection system IP 20
 Weight approx. 2,150 g
Disturbance test (CE) tested according to applicable EN guidelines
Listings UL, cUL, CSA
Marine LR (Type Approval), ABS (Design Assessment)

DIMENSIONS

Plastic housing for front panel mounting



Metal housing for cabinet mounting



TERMINAL DIAGRAM

MAINS CURRENT (OR GROUND C.)		GENERATOR CURRENT						ANALOG INPUTS 0 to 500 Ohm 0/4 to 20 mA						ANALOG OUTPUTS ±10 Vdc ±20mA PWM					
L1	S1	L1	L2	L3	S1	S2	S3	AI 01	AI 02	AI 03	+	+	+	+	+	+	+	+	+
01	02	03	04	05	06	07	08	09	10	11	12	13	14	15	16	17	18	19	20

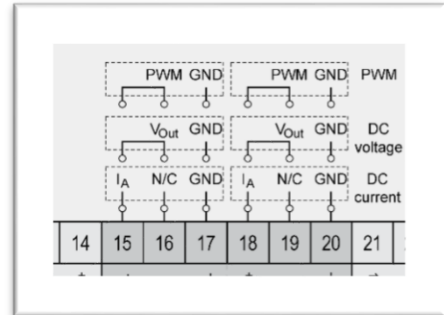
MAINS VOLTAGE						GENERATOR VOLTAGE						BUSBAR VOLTAGE		
L1	L2	L3	N	L1	L2	L3	N	L1	L2	L3	N	L1	L2	N
120 Vac	480 Vac	120 Vac	480 Vac	120 Vac	480 Vac	120 Vac	480 Vac	120 Vac	480 Vac	120 Vac	480 Vac	120 Vac	480 Vac	120 Vac
21	22	23	24	25	26	27	28	29	30	31	32	33	34	35

60	59	58	57	56	55	54	53	52	51	50	49	48	47	46	45	44	43	42	41
R12	R11	R10	R09	R08	R07	R06	R05	R04	R03	R02	R01								

RELAY OUTPUTS

80	79	78	77	76	75	74	73	72	71	70	69	68	67	66	65	64	63	62	61
MPU		D112	D111	D110	D109	D108	D107	D106	D105	D104	D103	D102	D101	COMMON	Aux. Excitation	0 Vdc	12/24 Vdc	Engine Ground	*

DISCRETE INPUTS



* pin 61
 easYgen-3100: No connection
 easYgen-3200: Protective earth

RELATED PRODUCTS

- Engine Speed Control **actiVgen** (Product Specification # 03419): P/N 8440-2108
- Remote Panel **RP-3000** (Product Specification # 37446)
- **ToolKit** (Product Specification # 03366)
- I/O Expansion Board **IKD1** (Product Specification # 37171)
- Load Share Gateway **LSG** (Product Specification # 37451)
- Electronic Pickup Unit **EPU-100** (Product Specification # 37562)
- CANbus based Remote Annunciator (Product Specification # 37279): **easYlite 100** P/N 8446-1023
- **Power Generation Learning Module** (Product Specification # 03412): P/N 8447-1012
- Profibus Gateway (Application Note # 37577): **ESEPRO** P/N 8445-1046
- Ethernet (Modbus/TCP) Gateway (Application Note # 37576): **ESENET** P/N 8445-1044
- CANbus to Fiber Optic Converters (Application Note # 37598):
DL-CAN P/N 8445-1049 and **DL-CAN-R** P/N 8445-1048
- Remote Access Gateway (with HMS **Netbiter** EasyConnect **EC250**)
- Analog Expansion Card (**PHOENIX CONTACT** Inline terminal **IB IL**)
- Thermocouple Scanner (**AXIOMATIC AXTC20**)

FEATURES OVERVIEW

CONTACT

North & Central America

Tel.: +1 970 962 7331
 ✉ SalesPGD_NAandCA@woodward.com

South America

Tel.: +55 19 3708 4800
 ✉ SalesPGD_SA@woodward.com

Europe

Tel. Stuttgart: +49 711 78954 510
 Tel. Kempen: +49 2152 145 331
 ✉ SalesPGD_EUROPE@woodward.com

Middle East & Africa

Tel.: +971 2 6275185
 ✉ SalesPGD_MEA@woodward.com

Russia

Tel.: +7 812 319 3007
 ✉ SalesPGD_RUSSIA@woodward.com

China

Tel.: +86 512 8818 5515
 ✉ SalesPGD_CHINA@woodward.com

India

Tel.: +91 124 4399 500
 ✉ SalesPGD_INDIA@woodward.com

ASEAN & Oceania

Tel.: +49 711 78954 510
 ✉ SalesPGD_ASEAN@woodward.com

www.woodward.com

Subject to alterations, errors excepted.

Subject to technical modifications.


This document is distributed for informational purposes only. It is not to be construed as creating or becoming part of any Woodward Company contractual or warranty obligation unless expressly stated in a written sales contract.

We appreciate your comments about the content of our publications. Please send comments including the document number below to stgt-doc@woodward.com

© Woodward

All Rights Reserved

For more information contact:

	Model Package	easYgen-3000 Series			
		3100		3200	
		P1	P2	P1	P2
Measuring					
Generator voltage (3-phase/4-wire)		✓	✓	✓	✓
Generator current (3x true r.m.s.)		✓	✓	✓	✓
Mains voltage (3-phase/4-wire)		✓	✓	✓	✓
Mains or ground current (1x true r.m.s.; mains or ground current selectable)		✓	✓	✓	✓
Busbar voltage (1-phase/2-wire)		✓	✓	✓	✓
Control					
Breaker control logic (open and closed transition)	<i>FlexApp™</i>	2	2	2	2
Automatic, Manual, Stop, and test operating modes		✓	✓	✓	✓
Single and multiple-unit operation		✓	✓	✓	✓
Mains parallel multiple-unit operation (up to 32 units)		✓	✓ #2	✓	✓ #2
AMF (auto mains failure) and stand-by operation		✓	✓	✓	✓
Critical mode operation		✓	✓	✓	✓
GCB and MCB synchronization (slipping / phase matching)		✓	✓	✓	✓
Import / export control (kW and kvar)		✓	✓	✓	✓
Load-dependent start/stop		✓	✓	✓	✓
n/f, V, P, Q, and PF remote control via analog input or interface		✓	✓	✓	✓
Load/var sharing for up to 32 gensets		✓	✓	✓	✓
Freely configurable PID controllers		-	3	-	3
HMI					
Color Display with Softkey operation	<i>DynamicsLCD™</i>	-	-	✓	✓
Start/stop logic for diesel / gas engines		✓	✓	✓	✓
Counters for operating hours / starts / maintenance / active/reactive energy		✓	✓	✓	✓
Configuration via PC (serial connection and ToolKit software (included))		✓	✓	✓	✓
Event recorder entries with real time clock (battery backup)		300	300	300	300
Protection					
	ANSI#				
Generator: voltage / frequency	59 / 27 / 810 / 81U	✓	✓	✓	✓
Generator: overload, reverse/reduced power	32 / 32R / 32F	✓	✓	✓	✓
Generator: unbalanced load	46	✓	✓	✓	✓
Generator: instantaneous overcurrent	50	✓	✓	✓	✓
Generator: time-overcurrent (IEC 255 compliant)	51 / 51 V	✓	✓	✓	✓
Generator: ground fault (measured ground current)	50G	✓	✓	✓	✓
Generator: power factor	55	✓	✓	✓	✓
Generator: rotation field		✓	✓	✓	✓
Engine: overspeed / underspeed	12 / 14	✓	✓	✓	✓
Engine: speed / frequency mismatch		✓	✓	✓	✓
Engine: D+ auxiliary excitation failure		✓	✓	✓	✓
Engine: Cylinder temperature		-	✓	-	✓
Mains: voltage / frequency	59 / 27 / 810 / 81U	✓	✓	✓	✓
Mains: phase shift / rotation field / RCOF (df/dt)	78	✓	✓	✓	✓
I/Os					
Speed input: magnetic / switching; Pickup		✓	✓	✓	✓
Discrete alarm inputs (configurable)		12 (10)	12 (10)	12 (10)	12 (10)
Discrete outputs, configurable	<i>LogicsManager™</i>	max. 12	max. 12	max. 12	max. 12
External discrete inputs / outputs via CANopen		16 / 16	32 / 32	16 / 16	32 / 32
Analog inputs #1, configurable	<i>FlexIn™</i>	3	3	3	3
Analog outputs: +/- 10V, +/- 20mA, PWM; configurable		2	2	2	2
External analog inputs / outputs via CANopen		-	16 / 4	-	16 / 4
Display and evaluation of J1939 analog values, "supported SPNs"		100	100	100	100
CAN bus communication interfaces #2	<i>FlexCAN™</i>	2	2	2	2
RS-232/485 Modbus RTU Slave interface(s)		1 / 1	1 / 1	1 / 1	1 / 1
Listings/Approvals					
UL / cUL Listing		✓	✓	✓	✓
CSA		✓	✓	✓	✓
LR & ABS Marine		✓	✓	✓	✓
BDEW / VDE-AR-N 4105		✓	✓	✓	✓
CE Marked		✓	✓	✓	✓
Part Numbers					
1A CT inputs / front panel mounting with display #3		-	-	8440-2049	8440-2051
5A CT inputs / front panel mounting with display #3		-	-	8440-2050	8440-2052
1A CT inputs / cabinet back mounting w/o display		8440-2055	8440-2057	-	-
5A CT inputs / cabinet back mounting w/o display		8440-2054	8440-2056	-	-
Spare connector kit		8923-1314	8923-1314	8923-1314	8923-1314

#1 selectable senders: VDO (0 to 180 Ohm, 0 to 5 bar), VDO (0 to 180 Ohm, 0 to 10 bar), VDO (0 to 380 Ohm, 40 to 120°C), VDO (0 to 380 Ohm, 50 to 150°C), Pt100, Pt1000, resistive input (one- or two-pole, 2pt. linear or 9pt. user defined)

#2 freely selectable during configuration between CANopen or J1939; please feel free to request more information

#3 a screw and a clamp kit are delivered with the unit for fastening