



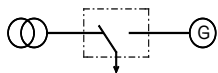
DTSC-50

Automatic Transfer Switch Controller

APPLICATIONS

The DTSC-50 digital transfer switch controller is an economical controller for open-transition (break before make) automatic transfer switch control.

Utility-to-Generator application
Utility is preferred with a generator as the emergency source



The DTSC-50 is intended for emergency stand-by applications with a single generator. When it detects a utility failure it commands the generator to start and transfers the load to the emergency source. When utility power is restored it performs an open-transition re-transfer and allows the engine to cool-down before stopping. It can be utilized in 1Ph2W, 1Ph3W, 3Ph3W and 3Ph4W Systems.

The DTSC-50 displays voltage and frequency values for each phase, as well as engine hours, maintenance hours and number of transfers. Active alarms are announced via the seven segment LED display. Separate LEDs show breaker status and source availability. Sealed soft-keys enable the user to start the generator and operate the transfer switch manually.

Password-protected programming can be accomplished through the front face or with a PC. Parameter limits and timers for utility and generator monitoring are freely programmable, adding a level of flexibility in the DTSC-50 not found in most lower-end ATS controls.

The unit is fully enclosed in a plastic housing for safety and has removable terminal blocks for easy wiring.

Open-transition transfer switch designs frequently use interposing relay logic to ensure that the utility and generator circuit breakers can't be closed at the same time, adding cost and wiring. The DTSC-50 uses breaker position reply signals to interlock the breakers internally, eliminating the need for external relays. The controller can also be configured to ignore breaker replies if they are unavailable, for instance in retrofit applications.

DESCRIPTION

I/O set

- 1 or 3 phase generator and mains true rms voltage, measuring inputs: rated 480 Vac (max. 600 Vac)
- 2 configurable discrete inputs
- 3 programmable output relays

Protection & Monitoring

- **Protection**
 - Configurable fail and restore limits/timers for:
 - Over / under voltage ANSI (59/27)
 - Over / under frequency ANSI (81O/U)
 - Phase rotation ANSI (47)
- **Switch monitoring**
 - Switch position feedback
 - Transfer failure

Features

- Open transition transfer
- 6-digit, 7-segment LED for
 - display of measuring values (V, f)
 - display of counters
 - display of alarms
- Configurable trip levels/delays
- Customizable display using paper-strips
- Counters for:
 - Operation hours
 - Maintenance
 - Number of starts
 - Number of transfers
- Removable terminal blocks for easy wiring
- Configurable via PC and/or front panel
- Password protection

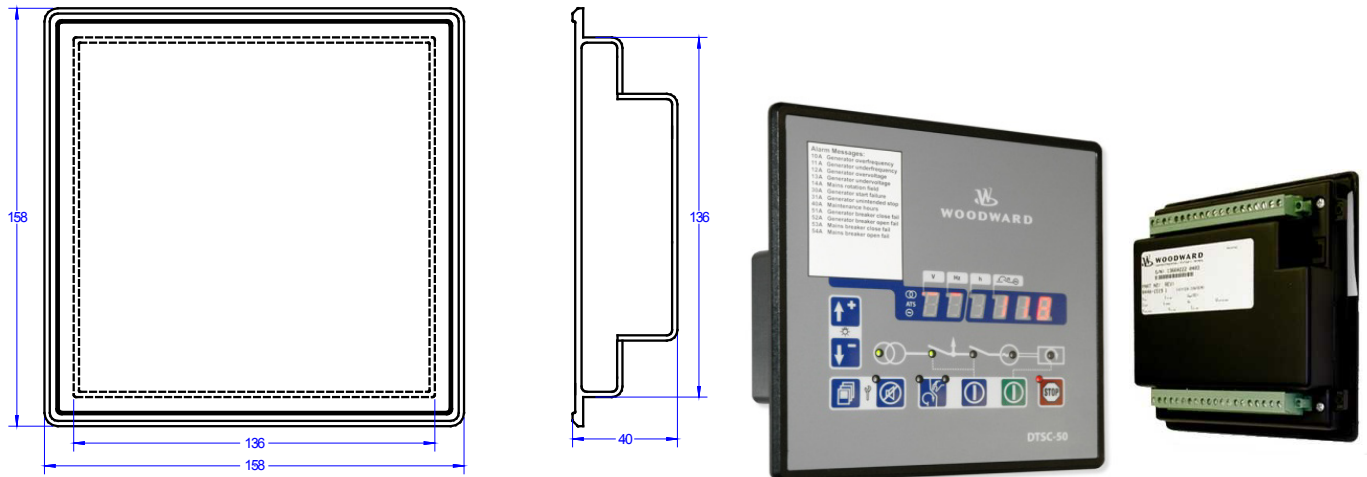
- AMF/loss of mains auto start/stop
- Open transition transfer
- Auto/manual operation
- Remote Start input
- "Lock in Auto mode" input
- "Lock in Manual mode" input
- Utility-to-Generator applications
- True R.M.S. voltage sensing
- LEDs for source availability and breaker status
- Freely configurable discrete I/O
- Adjustable timers
- Fully-enclosed housing
- Removable terminal blocks
- Internal breaker interlock utilizing discrete inputs for breaker position detection
- PC and/or front display configuration
- Password protection
- Eventlog (15 Events)
- UL/cUL Listed

SPECIFICATIONS

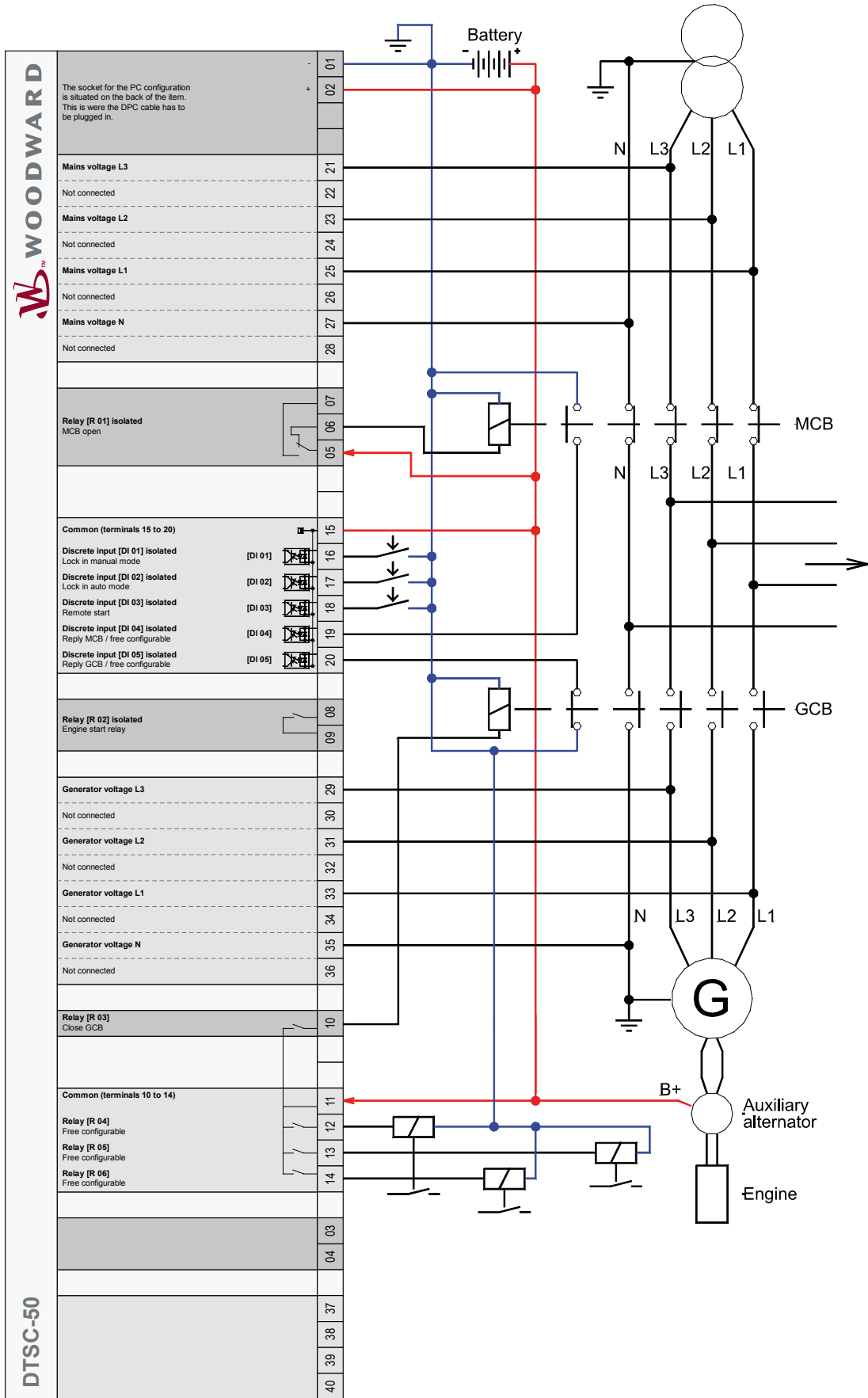
Power supply.....	12/24 Vdc (6.5 to 32.0 Vdc)
Intrinsic consumption	max. 10 W
Degree of pollution.....	2
Ambient temperature (operation).....	-20 to 70 °C / -4 to 158 °F
Ambient temperature (storage).....	-20 to 85 °C / -4 to 185 °F
Ambient humidity.....	95 %, non-condensing
Voltage	(Δ/Δ)
480 Vac Rated (V_{rated}).....	277/480 Vac
Maximum value (V_{max}).....	346/600 Vac
Rated voltage phase-ground.....	300 Vac
Rated surge voltage.....	4.0 kV
Linear measuring range.....	1.3 x V_{rated}
Measuring frequency.....	40 (mains) or 15 (generator) to 85 Hz
Accuracy.....	Class 1
Input resistance.....	2.0 M Ω
Max. power consumption per path.....	< 0.15 W

Discrete inputs	isolated
Input range.....	12/24 Vdc (6.5 to 32.0 Vdc)
Input resistance.....	approx. 6.7 k Ω
Relay outputs	isolated
Contact material.....	AgCdO
Load (GP).....	2.00 Aac@250 Vac
	2.00 Adc@24 Vdc / 0.36 Adc@125 Vdc / 0.18 Adc@250 Vdc
Pilot duty (PD).....	
	1.00 Adc@24 Vdc / 0.22 Adc@125 Vdc / 0.10 Adc@250 Vdc
Housing	Flush-mount.....
Dimensions.....	Type Woodward
Front cutout.....	158x158x40 mm
Connection.....	138[+1.0]x138[+1.0] mm
	screw/plug terminals 2.5 mm ²
Tightening torque.....	0.5 Nm
Housing	insulating surface
Protection system.....	with correct installation
	Front.....
	IP54 pending
Weight.....	approx. 450 g
Disturbance test (CE)	tested according to applicable EN guidelines
Sinusoidal Vibration	4G, 5 to 100 Hz
Endurance Vibration	4G, 30 Hz, 1.5 h
Random Vibration	1.04Grms, 10 to 500 Hz, 2 h
Shock	40G peak, 11 ms
Listings	UL/cUL

DIMENSIONS



WIRING DIAGRAM



CONTACT
North & Central America

Tel.: +1 970 962 7331

 ✉ SalesPGD_NAandCA@woodward.com
South America

Tel.: +55 19 3708 4800

 ✉ SalesPGD_SA@woodward.com
Europe

Tel. Stuttgart: +49 711 78954 510

Tel. Kempen: +49 2152 145 331

 ✉ SalesPGD_EUROPE@woodward.com
Middle East & Africa

Tel.: +971 2 6275185

 ✉ SalesPGD_MEA@woodward.com
Russia

Tel.: +7 812 319 3007

 ✉ SalesPGD_RUSSIA@woodward.com
China

Tel.: +86 512 8818 5515

 ✉ SalesPGD_CHINA@woodward.com
India

Tel.: +91 124 4399 500

 ✉ SalesPGD_INDIA@woodward.com
ASEAN & Oceania

Tel.: +49 711 78954 510

 ✉ SalesPGD_ASEAN@woodward.com
www.woodward.com

Subject to alterations, errors excepted.

Subject to technical modifications.

This document is distributed for informational purposes only. It is not to be construed as creating or becoming part of any Woodward Company contractual or warranty obligation unless expressly stated in a written sales contract.

We appreciate your comments about the content of our publications. Please send comments including the document number below to stgt-doc@woodward.com

© Woodward
All Rights Reserved

For more information contact:

FEATURES OVERVIEW

Digital Transfer Switch Controller		DTSC-50
Measuring		
Source voltage (1phase/2-wire or 3phase/4-wire configurable)	rated 480 Vac	✓
- True R.M.S.	max 600 Vac	✓
Breaker Control		
Open transition (break-before-make)		✓
Application		
Utility to generator		✓
Features		
AMF/loss of utility, auto generator start/stop		✓
Display of measuring values (V, f), 6-digit, 7-segment LED		✓
Status LEDs for source availability and breaker state		✓
Configurable trip levels		✓
Adjustable timers		✓
Counters for operation and maintenance hours, number of transfers		✓
Fully-enclosed plastic housing for safety		✓
Removable terminal blocks		✓
Internal interlock prevents breakers from closing simultaneously		✓
Manual operation		✓
Flush-mounting (screw or clamp fastening)		✓
Configurable automatic mains stable timer bypass in case of a genset failure.		✓
Eventlog (Max. 15 events – Readout via Serial interface only)		✓
Accessories		
Soft-keys		✓
Configuration via PC #1		✓
Password protection		✓
Monitoring		ANSI#
Source: voltage	59/27	✓
Source: frequency	810/81U	✓
Source: voltage asymmetry	47	✓
Source: Phase rotation error	47	✓
Switch: Open/close failure detection		✓
Engine : Start fail monitoring		✓
Engine : Unintended Stop monitoring		✓
I/Os		
"Lock in AUTO mode" input		1
"Lock in MANUAL mode" input		1
Configurable discrete inputs		2
Configurable discrete outputs		3
Discrete outputs for GCB and MCB control		2
Potential-Free Engine start contact (2 amp)		1
Direct configuration interface #1		✓
Listings/Approvals		
UL/cUL Listed		✓
Part Numbers		
Front panel mounting with display	P/N 8440-	1894

#1 Configuration software available free at Woodward.com, connection requires Woodward DPC cable P/N 5417-557